

# Поставщик подъемников для пациентов в Китае

# MANUAL HYDRAULIC PATIENT LIFT



# PRODUCT ADVANTAGES



450lb capacity



Thickened nylon sling



Heavy gauge steel  
construction



Rear wheel brake

# PRODUCT PARAMETER

Parameter	Category
Boom Height	17.5" - 72"
Base Width	42"(open) / 22.5" (closed)
Base Height	6.5"
Casters	5"
Weight	72 lbs.
Carton Shipping Weight	84 lbs.
Weight Limit	450 lbs.
Package Dimensions	126*65*35cm

# PRODUCT STRUCTURE



# PRODUCT STRUCTURE





### 360° ROTATE

Six point spreader bar with 360 degree rotation, Uses 6-point, 4-point slings .



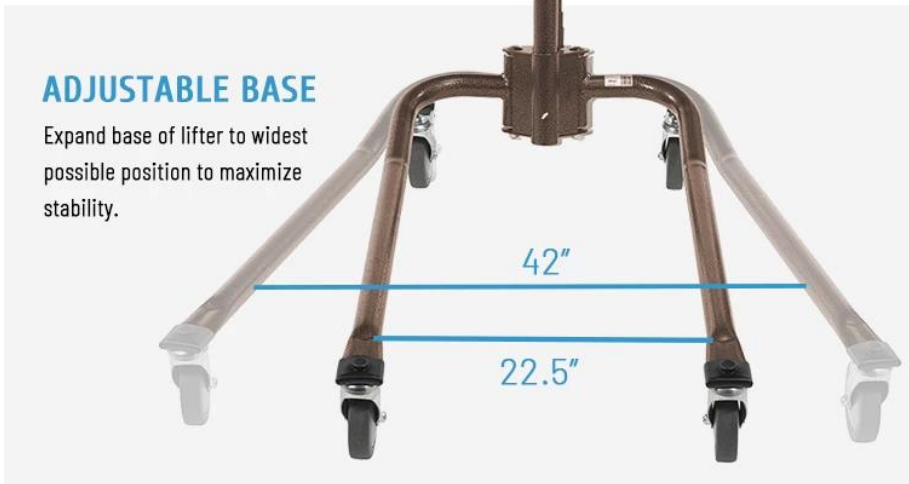
### STANDARD BASE

6.5 inch standard base design, the base can be installed under bed, wheelchair or furniture.



### 450LB CAPACITY

Provide a variety of environmentally friendly nylon slings, full body support and protection



### ADJUSTABLE BASE

Expand base of lifter to widest possible position to maximize stability.

# REAR WHEEL DOUBLE BRAKE

Wheel locks are provided on two casters for parking To lock casters, step on cam lever on side of caster.

